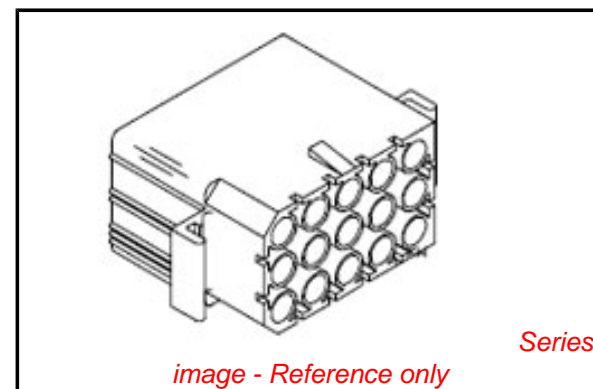


PLEASE CHECK WWW.MOLEX.COM FOR LATEST PART INFORMATION

Part Number: [0019091151](#)
Status: **Active**
Overview: [standard_093](#)
Description: 2.36mm (.093") Diameter, .093" Pin and Socket Receptacle Housing with Positive Latch, 15 Circuits, 3 Rows, With Pull Tabs

Documents:

3D Model	Product Specification PS-02-09 (PDF)
Drawing (PDF)	RoHS Certificate of Compliance (PDF)
Packaging Specification (PDF)	



Agency Certification

CSA	LR19980
TUV	R95725
UL	E29179

General

Product Family	Crimp Housings
Series	1991
Comments	Glow Wire Equivalent Part Number 50362278 . Polarized to Mating Part
Overview	standard_093
Product Name	Standard .093"

Physical

Breakaway	No
Circuits (maximum)	15
Circuits Detail	3x5
Color - Resin	Natural
Flammability	94V-2
Gender	Male
Glow-Wire Compliant	No
Keying to Mating Part	None
Lock to Mating Part	Yes
Material - Resin	Nylon
Number of Rows	3
Packaging Type	Bag
Panel Mount	Yes
Pitch - Mating Interface (in)	0.248 In
Pitch - Mating Interface (mm)	6.30 mm
Polarized to Mating Part	Yes
Stackable	No
Temperature Range - Operating	-40°C to +105°C

Electrical

Current - Maximum per Contact	7.5A
-------------------------------	------

Material Info

Old Part Number	1991-15R2
-----------------	-----------

Reference - Drawing Numbers

Packaging Specification	PK-1991-002
Product Specification	PS-02-09
Sales Drawing	SD-1991-15*

EU RoHS ELV and RoHS Compliant REACH SVHC Contains SVHC: No Halogen-Free Status Not Reviewed	China RoHS
---------------------------------------------------------------------------------------------------------------------------------------------------------------------------	-----------------------

Need more information on product environmental compliance?

Email productcompliance@molex.com
 For a multiple part number RoHS Certificate of Compliance, [click here](#)

Please visit the [Contact Us](#) section for any non-product compliance questions.

Search Parts in this Series

[1991Series](#)

Mates With

[19-09-2151 Plug](#), [19-09-2153 Plug](#)

Use With

[1189 Crimp Terminals](#), [1190 Crimp Terminals](#), [1380 Male Crimp Terminals](#), [1381 Female Crimp Terminals](#), [1433 Crimp Terminals](#), [1434 Male Crimp Terminals](#), [1973](#) , [2151](#) , [2273](#) , [2870](#) , [2871](#) , [4272](#) , [4550](#) , [6271](#) , Lin

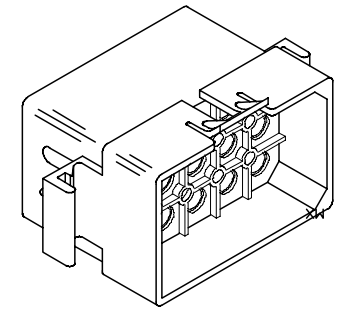
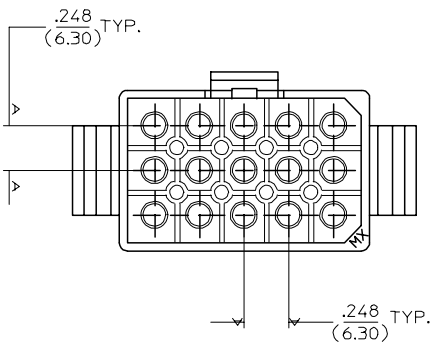
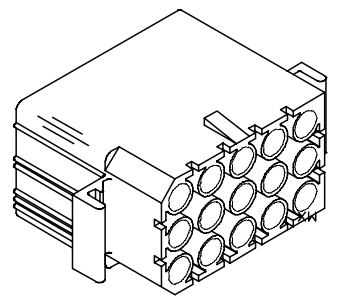
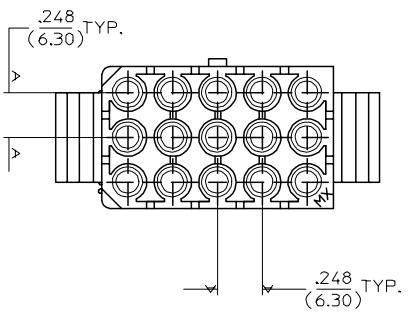
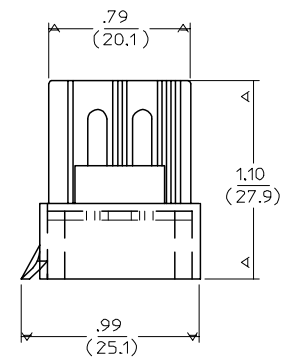
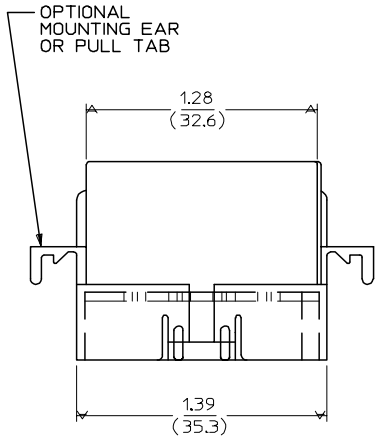
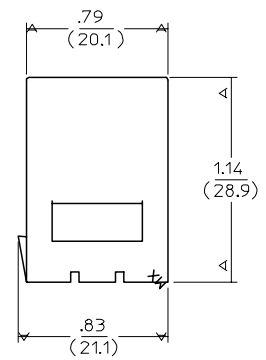
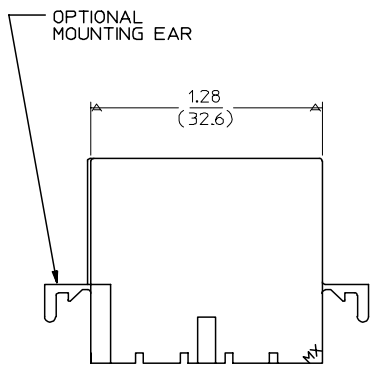
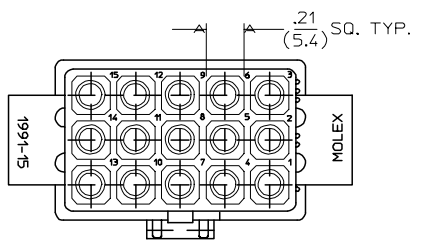
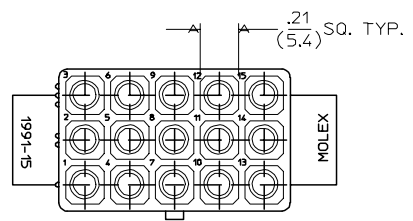
This document was generated on 05/18/2010

PLEASE CHECK WWW.MOLEX.COM FOR LATEST PART INFORMATION

13 12 11 10 9 8 7 6 5 4 3 2 1

RECEPTACLE

PLUG



2	I
1	I
SHT. REV.	

UPDATE TITLE BLOCK EC NO: UCP2007-1498 DRW: AELHAG 2007/04/04 CHKD: AELHAG 2007/04/04 APPR: FSM TH 2007/04/04 REV. DESCRIPTION	QUALITY SYMBOLS	GENERAL TOLERANCES (UNLESS SPECIFIED)	DIMENSION STYLE	SCALE	DESIGN UNITS	THIRD ANGLE PROJECTION
	$\nabla=0$ $\nabla=0$	mm INCH 4 PLACES ± --- ± --- 3 PLACES ± --- ± .010 2 PLACES ± 0.25 ± .014 1 PLACE ± 0.35 ± --- ANGULAR ±1/2°	IN/MM	2:1	INCH	
		DRAFT WHERE APPLICABLE MUST REMAIN WITHIN DIMENSIONS	DRAWN BY DATE KBW 1989/04/25 CHECKED BY DATE RW 1989/04/25 APPROVED BY DATE RAS 1989/04/25 MATERIAL NO. DOCUMENT NO.	TITLE .093/(2.36) HOUSINGS, PLUG AND RECEPTACLE, 15 CKT .248/(6.30) CTRS.		
		SEE CHART	MOLEX INCORPORATED SD-1991-15* SHEET NO. 1 OF 2			

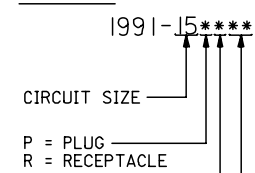
12 11 10 9 8 7 6 5 4 3 2 1

13 12 11 10 9 8 7 6 5 4 3 2 1

PLUG		
ORDER NO	ENG NO	PKG. INFORMATION
19-09-2151	1991-15P	PK-1991-002
19-09-2153	1991-15P2	PK-1991-002
19-09-7151	1991-15PBK	PK-1991-001
-	-	-
-	-	-

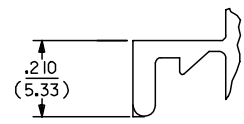
RECEPTACLE		
ORDER NO	ENG NO	PKG. INFORMATION
19-09-1151	1991-15R2	PK-1991-002
19-09-1152	1991-15R1	PK-1991-002
19-09-6151	1991-15R2BK	PK-1991-001
19-09-6152	1991-15R1BK	PK-1991-001
-	-	-
-	-	-

LEGEND:

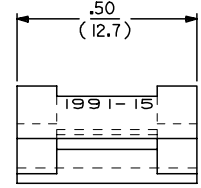
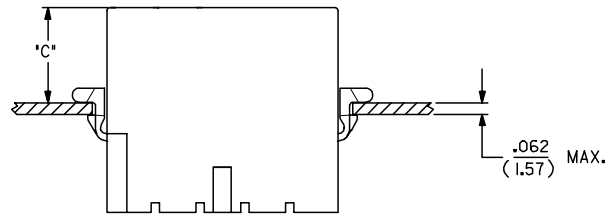


BLANK = WITH PULL TABS
 1 = WITHOUT EARS/WITHOUT PULL TABS
 2 = WITH STANDARD EARS
 3 = WITH PREBENT EARS

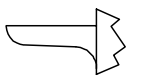
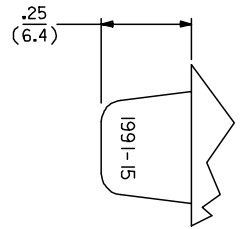
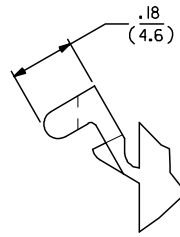
COLOR:
 BLANK = NATURAL COLOR
 AM = AMBER BK = BLACK BU = BLUE
 BN = BROWN GY = GRAY GN = GREEN
 OR = ORANGE RD = RED YW = YELLOW



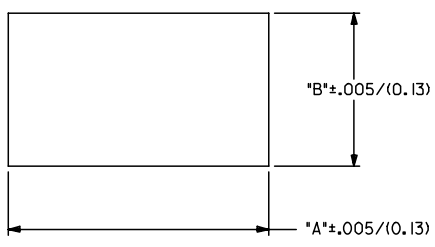
DETAIL A
STANDARD MOUNTING EAR
(SCALE 4:1)



DETAIL B
PREBENT MOUNTING EAR
(SCALE 4:1)



DETAIL C
PULL TAB
(SCALE 4:1)



RECOMMENDED PANEL OPENING

HOUSING	DIM. "A"	DIM. "B"	"C" PREBENT EAR	"C" STANDARD EAR
PLUG	1.552/(39.42)	.910/(23.11)	.31/(7.9)	.30/(7.6)
RECEPT.	1.442/(36.63)	.850/(21.60)	.54/(13.7)	.53/(13.5)

NOTES:

- MATERIAL: NYLON TYPE 6/6, 94V-2.
- FINISH: N/A
- PRODUCT SPECIFICATION: PS-02-09
- PACKAGING SPECIFICATION: SEE CHART
- HOUSINGS FOR USE WITH MOLEX STANDARD .093/(2.36) TYPE TERMINALS
- PARTS CONFORM TO CLASS B REQUIREMENTS OF COSMETIC SPECIFICATION PS-45499-002.

ADD NOTES 2,4 & 6 EC NO: UCP2007-1498 DRW: AELHAG 2007/04/04 CHKD: AELHAG 2007/04/04 APPR: FSM TH 2007/04/04 REVISIONS	QUALITY SYMBOLS	GENERAL TOLERANCES (UNLESS SPECIFIED)	DIMENSION STYLE	SCALE	DESIGN UNITS	THIRD ANGLE PROJECTION
	$\nabla=0$ $\nabla=0$	mm INCH 4 PLACES ± --- ± --- 3 PLACES ± --- ±.010 2 PLACES ± 0.25 ±.014 1 PLACE ± 0.35 ± --- ANGULAR ±1/2°	IN/MM	2:1	INCH	
	DRAWN BY DATE KBW 1989/04/25 CHECKED BY DATE RW 1989/04/25 APPROVED BY DATE RAS 1989/04/25 MATERIAL NO. DOCUMENT NO.	TITLE .093/(2.36) HOUSINGS, PLUG AND RECEPTACLE 15 CKT .248/(6.30) CTRS.		MOLEX INCORPORATED		SHEET NO. 2 OF 2
	DRAFT WHERE APPLICABLE MUST REMAIN WITHIN DIMENSIONS		SEE CHART		SD-1991-15*	

12 11 10 9 8 7 6 5 4 3 2 1